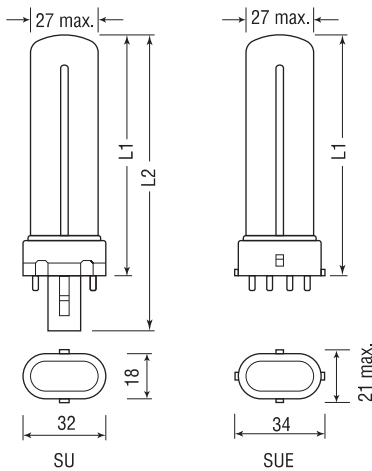


The Single-Ended Compact Fluorescent Lamp



- High Efficacy – up to 80% energy saving compared with incandescents
 - Eight times the life of incandescents – average life up to 8000 hours*
 - Excellent colour rendering
 - SU G23 base lamp (2-pin lamp) with integral starter and RF suppression capacitor is only suitable for use with conventional control gear
 - SUE 2G7 base lamp (4-pin lamp) doesn't contain integral starter, is suitable for use with High - Frequency electronic control gear. The power can be AC-mains, DC-mains, batteries, solar cell, etc
 - Lumen Maintenance – min. 90% at 2000 hours
 - SU 5W/7W/9W are suitable for both 120V and 230V. SU 11W is for 230V only.
- * tested according to IEC969



Brightness	
5 W	→ 25 W
7 W	→ 40 W
9 W	→ 60 W
11 W	→ 75 W

Long Life	
→ 8 X	

Model	Lamp Wattage	Luminous Flux	Rendering Index	Base	Length L1 max	Length L2 max	Average Life	Standard Pack
	W	L m	Ra		mm	mm	h	pcs
SU 5W	5	310	80	G23	85	108	8000	1/25/200
SU 7W	7	400	80	G23	112	135	8000	1/25/200
SU 9W	9	580	80	G23	142	165	8000	1/25/200
SU 11W	11	830	80	G23	212	235	8000	1/25/200
SUE 5W	5	310	80	2G7	85		8000	1/25/200
SUE 7W	7	410	80	2G7	112		8000	1/25/200
SUE 9W	9	580	80	2G7	142		8000	1/25/200
SUE 11W	11	830	80	2G7	212		8000	1/25/200

- Colour Temperature - Warmwhite, Coolwhite and Daylight are available
- The conventional control gear or HF electronic control gear used with DU or DUE should be well designed and made according to applicable IEC standards