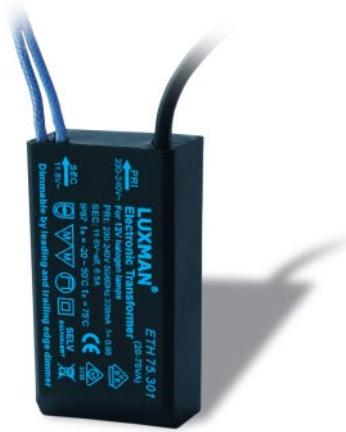


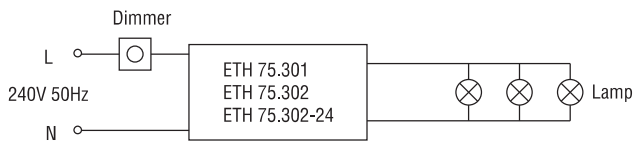
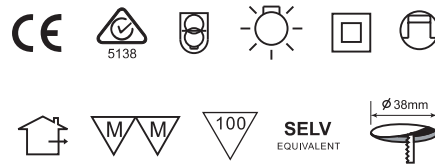
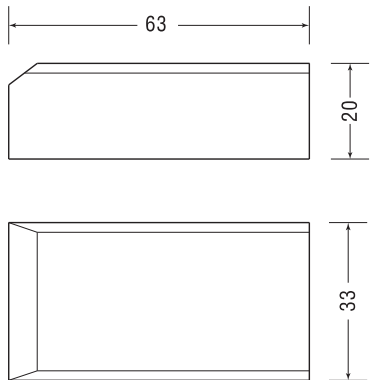
The IP65 independent safety Electronic Transformer for 12V, 24V halogen lamp



- Compact size and lightweight
- Dimmable with trailing-edge phase cut dimmer and most leading-edge phase cut dimmer
- Class II protection against electric shock
- Reversible short-circuit, overload protection
- ETH 75.302, ETH 75.302-24 thermal protected by reversible thermal switch
- Protected against mains voltage spikes
- Soft start to prolong lamp life by 50%
- Leads in cable 30cm 0.75mm<sup>2</sup>, leads out cable 30cm 0.75mm<sup>2</sup> 180°C silicon wire with woven glass fabric
- 38mm diagonal distance to fit through all cut-outs for Halogen lights
- Waterproof potting
- IP65 for outdoor or indoor
- Complied with applicable standards for safety, performance and EMC

EMC Emission EN55015, EN61000-3-2, EN61000-3-3  
 Immunity EN61547, EN61000-4-2-EN61000-4-6  
 EN61000-4-11  
 EN61347-1, EN61347-2-2  
 Safety Performance EN61047

- RoHS Compliant



Wiring Diagram

Type	Supply Voltage V/Hz	Supply Current A	Output Voltage Vrms	Load Range	Ambient Temperature Ta	Casing Temperature Tc	Certification	Weight g	Standard Pack pcs
ETH 75.301	220-240 / 50-60	0.32	11.6	20-75W	-20°C to 50°C	85°C	CE	102	1/20/100
ETH 75.302	220-240 / 50-60	0.32	11.6	20-75W	-20°C to 60°C	90°C	CE	105	1/20/100
ETH 75.302-24	220-240 / 50-60	0.32	23.5	20-75W	-20°C to 60°C	90°C	CE	105	1/20/100

Option: Leads in cable with mains plug, leads out cable with AMP socket