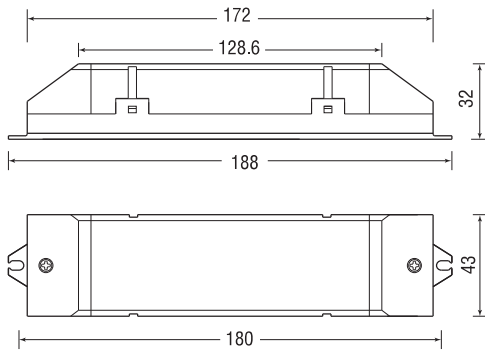


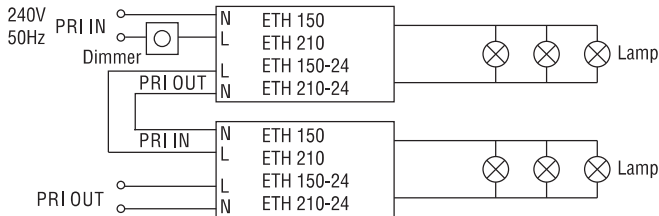
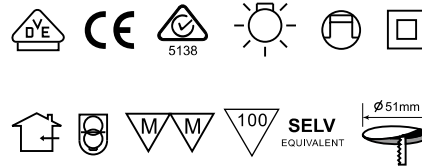
The independent safety Electronic Transformer for 12V, 24V halogen lamp



- Dimmable with whatever leading-edge or trailing-edge phase cut dimmer at rated load and partial load
- Class II protection against electric shock
- Reversible short-circuit, overload protection
- Thermal protection by resettable thermal switch or thermal fuse
- Protected against mains voltage spikes
- Soft start to prolong lamp life by 50%
- Suitable for installation in furniture
- Loop in and loop out design at primary side
- Opposite input (2.5mm² terminal section) and output terminals (8.0mm² terminal section)
- Quantity of screw terminals: 2x2 poles for primary and 3x2 poles for secondary
- Clamping screws on primary and secondary for cables with dia 3mm min. and 8mm max.
- Fixing point dimension: 140, 160 or 180mm
- IP20
- Complied with applicable standards for safety, performance and EMC

EMC	Emission	EN55015, EN61000-3-2, EN61000-3-3
	Immunity	EN61547, EN61000-4-2-EN61000-4-6 EN61000-4-11
Safety		EN61347-1, EN61347-2-2
Performance		EN61047

• RoHS Compliant



Wiring Diagram

Type	Supply Voltage	Supply Current	Output Voltage	Load Range	Ambient Temperature	Casing Temperature	Certification	Weight	Standard
	V/Hz	A	Vrms		Ta	Tc		g	pcs
ETH 150	220-240 / 50-60	0.65	11.6	35-150W	-20°C to 45°C	85°C		236	1/10/50
ETH 210	220-240 / 50-60	0.89	11.6	50-210W	-20°C to 35°C	80°C		242	1/10/50
ETH 150-24	220-240 / 50-60	0.65	23.5	50-150W	-20°C to 40°C	90°C		236	1/10/50
ETH 210-24	220-240 / 50-60	0.89	23.5	50-210W	-20°C to 35°C	80°C		242	1/10/50

Option: Input with cable and mains plug, output with cable and AMP socket
Resettable Thermal Switch; The colour of plastic enclosure