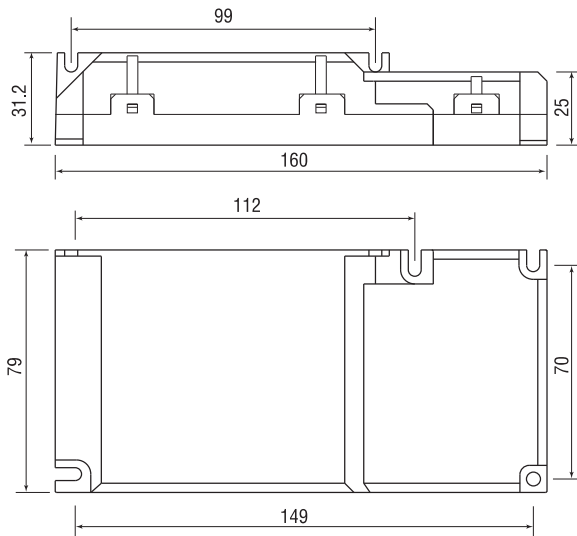
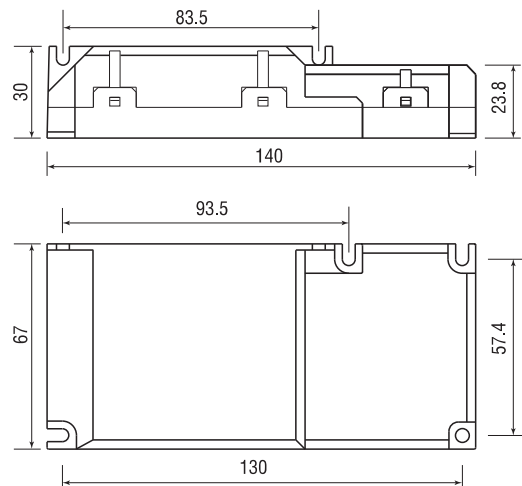




K4 with cord grip (K4+G)



K9 with cord grip (K9+G)



#### INDEPENDENT ELECTRONIC BALLASTS FOR CFL, T5, T5 Circular

- Supply Voltage 220-240V 50/60Hz + - 10%
- Active Power Factor Correction (PFC), ASIC driven for Professional class ballast
- Programmed warm start within 1.2s
- Constant Power Consumption
- End of life Protection, Short Circuit Protection
- Automatic restart after lamp replacement
- For luminaires of protection class I and II
- Degree of protection IP20
- Push-in terminals with push-button
  - 0.75-1.5mm<sup>2</sup> solid lead
  - 0.30-1.0mm<sup>2</sup> stranded lead
- Fixing brackets for screw M4

- For lateral or base mounting
- For lighting system with high frequency switching (>5/day)
- RoHS compliant
- Complied with applicable standards for safety, performance and EMC

EMC	Emission	EN55015, EN61000-3-2 EN61000-3-3
	Immunity	EN61547, EN61000-4-11 EN61000-4-2~EN61000-4-6
Safety		EN61347-1, EN61347-2-3
Performance		EN60929



5138

INDEPENDENT ELECTRONIC BALLASTS FOR CFL, T5, T5 Circular

Lamp Type	Lamp		Ballast Type	EEI	Wiring Diagram	Ta °C	Tc °C	Casing	LxWxH mm	Lamp	System	Current	Certification
	Watt	Base								Wattage	Wattage at 230V/50Hz	A	
	W									W	W	A	
<b>Professional for CFL TC-DEL, TC-TEL, TC-QEL</b>													
TC-DEL	2x13	G24q-1	EBC 213.204	A3	2	-15 to 55	75	K9+G	140x67x30	2x12.5	29.0	0.13	CE
TC-DEL	2x18	G24q-2	EBC 218.204	A2	2	-15 to 55	75	K9+G	140x67x30	2x16.5	36.5	0.16	CE
TC-DEL	2x26	G24q-3	EBC 226.201	A2	2	-15 to 55	80	K9+G	140x67x30	2x24.0	54.0	0.24	CE
TC-TEL	2x26	GX24q-3	EBC 226.201	A2	2	-15 to 55	80	K9+G	140x67x30	2x24.0	54.0	0.24	CE
TC-DEL	2x26	G24q-3	EBC 242.201	A2	2	-15 to 50	80	K4+G	160x79x31	2x24.0	54.0	0.24	0'E
TC-TEL	2x32	GX24q-3	EBC 242.201	A2	2	-15 to 50	80	K4+G	160x79x31	2x32.0	70.5	0.31	0'E
TC-TEL	2x42	GX24q-4	EBC 242.201	-	2	-15 to 50	80	K4+G	160x79x31	2x42.0	91.0	0.40	0'E
TC-TEL	57	GX24q-5	EBC 242.201	-	7	-15 to 50	80	K4+G	160x79x31	57.0	63.0	0.28	0'E
TC-TEL	70	GX24q-6	EBC 242.201	-	7	-15 to 50	80	K4+G	160x79x31	70.0	78.0	0.35	0'E
TC-QEL	70	GX24q-6	EBC 242.201	-	7	-15 to 50	80	K4+G	160x79x31	70.0	78.0	0.35	0'E
<b>Professional For T5</b>													
T5 HO	24	G5	EBC 242.201	A2	7	-15 to 50	80	K4+G	160x79x31	24.0	28.0	0.13	0'E
T5 HO	2x24	G5	EBC 242.201	A2	2	-15 to 50	80	K4+G	160x79x31	2x24.0	53.5	0.24	0'E
T5 HO	39	G5	EBC 242.201	A2	7	-15 to 50	80	K4+G	160x79x31	39.0	43.0	0.19	0'E
T5 HO	2x39	G5	EBC 242.201	A2	2	-15 to 50	80	K4+G	160x79x31	2x39.0	85.0	0.37	0'E
<b>Professional For T5 Circular</b>													
T-R5	22	2GX13	EBC 242.201	A3	7	-15 to 50	80	K4+G	160x79x31	22.0	26.0	0.12	0'E
T-R5	2x22	2GX13	EBC 242.201	A2	2	-15 to 50	80	K4+G	160x79x31	2x22.0	49.0	0.22	0'E
T-R5	40	2GX13	EBC 242.201	A3	7	-15 to 50	80	K4+G	160x79x31	40.0	45.0	0.20	0'E
T-R5	2x40	2GX13	EBC 242.201	A2	2	-15 to 50	80	K4+G	160x79x31	2x40.0	88.0	0.39	0'E
T-R5	22+40	2GX13	EBC 242.201	A2	2	-15 to 50	80	K4+G	160x79x31	22+40	69.5	0.31	0'E
<b>Standard for CFL TC-DEL, TC-TEL</b>													
TC-DEL	2x26	G24q-3	EBC 226.202	A2	2	-15 to 55	80	K9+G	140x67x30	2x24.0	54.0	0.24	CE
TC-TEL	2x26	GX24q-3	EBC 226.202	A2	2	-15 to 55	80	K9+G	140x67x30	2x24.0	54.0	0.24	CE

**Wiring Diagram**

