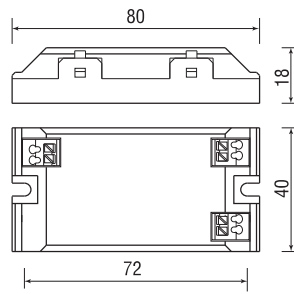
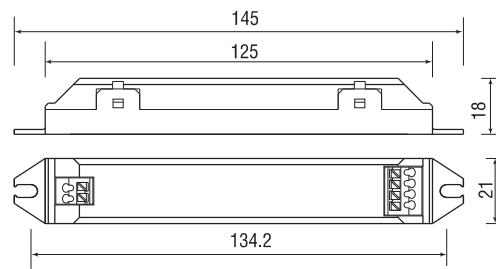




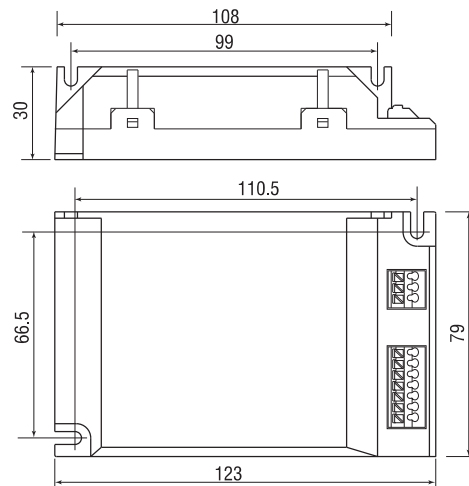
K1



K2



K4

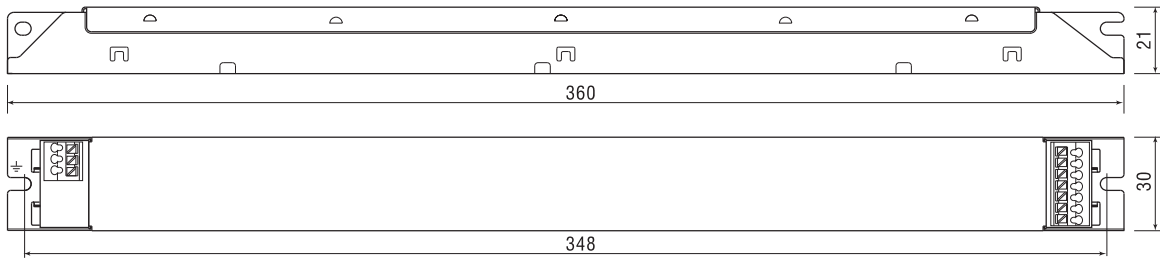




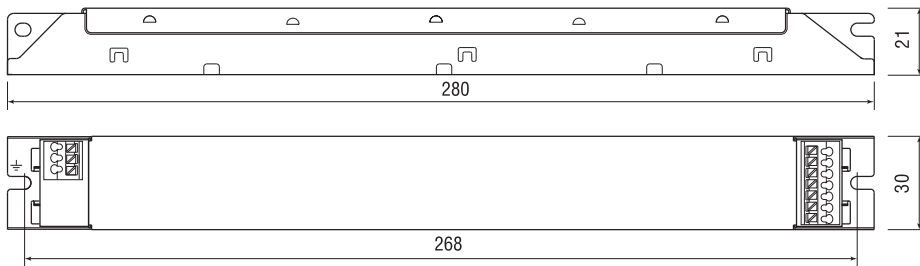
K5



K6



K10



Standard Built-in Electronic Ballasts for T8, T5 lamps

- Supply Voltage 220-240V 50/60Hz + - 10%
- Active PFC (Power Factor Correction) for ballasts over 25W
- Warm start within 1.5s
- Constant Power Consumption
- End of life Protection and Short Circuit Protection
- Automatic restart after lamp replacement
- For luminaries of protection class I and II
- Degree of protection IP20
- RoHS compliant

- Complied with applicable standards for safety, performance and EMC

EMC	Emission	EN55015, EN61000-3-2 EN61000-3-3
	Immunity	EN61547, EN61000-4-11 EN61000-4-2-EN61000-4-6
Safety Performance		EN61347-1, EN61347-2-3 EN60929



Lamp			Ballast	EEI	Wiring	Ta	Tc	Casing	LxWxH	Lamp	System	Current	Certification
Type	Watt	Base	Type		Diagram	°C	°C		m m	Wattage	Wattage at 230V/50Hz	A	
W													
Standard for T8													
T8	18	G13	EBT 124.202	A2	1	-15 to 55	80	K2	145x21x18	16.0	19.0	0.15	
T8	2x18	G13	EBT 218.202	A2	2	-15 to 55	80	K5	360x30x25	2x16.0	37.0	0.16	CE
T8	3x18	G13	EBT 318.202	A2	3	-15 to 55	80	K5	360x30x25	3x16.0	56.0	0.25	CE
T8	4x18	G13	EBT 418.202	A2	4	-15 to 55	80	K5	360x30x25	4x16.0	73.0	0.32	CE
T8	36	G13	EBT 136.202	A2	1	-15 to 55	80	K5	360x30x25	32.0	36.0	0.16	CE
T8	2x36	G13	EBT 236.202	A2	2	-15 to 55	80	K5	360x30x25	2x32.0	71.0	0.31	CE
T8	58	G13	EBT 158.202	A2	1	-15 to 55	80	K5	360x30x25	50.0	55.0	0.24	CE
T8	2x58	G13	EBT 258.202	A2	2	-15 to 55	80	K5	360x30x25	2x50.0	108.0	0.47	CE
Standard for T5													
T5 HE	14	G5	EBT 114.204	A2	1	-15 to 55	80	K2	145x21x18	14.0	17.0	0.13	
T5 HE	21	G5	EBT 121.202	A2	1	-15 to 55	80	K2	145x21x18	21.0	24.0	0.17	
T5 HO	24	G5	EBT 124.202	A2	1	-15 to 55	80	K2	145x21x18	22.0	24.5	0.19	
Standard for T-R5													
T-R5	22	2GX13	EBC 126.202	A2	1	-15 to 55	85	K1	80x40x18	22.0	25.0	0.15	

Wiring Diagram

