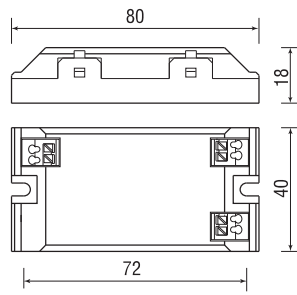
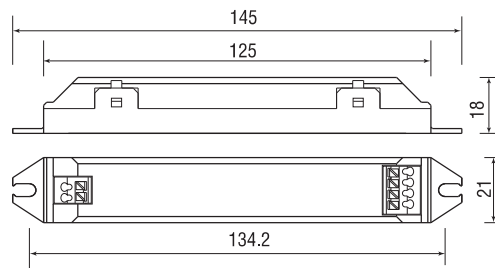




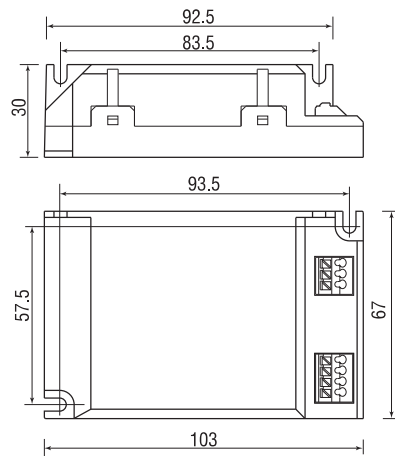
K1



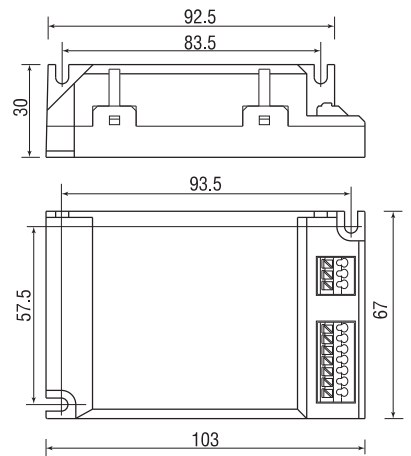
K2



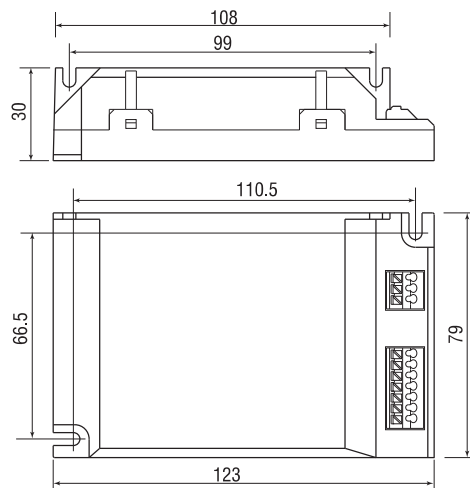
K3



K9



K4



PROFESSIONAL BUILT-IN ELECTRONIC BALLASTS FOR Compact Fluorescent Lamps

- Supply Voltage 220-240V 50/60Hz + - 10%
- ASIC driven, Active PFC (Power Factor Correction) for ballasts over 25W
- Programmed warm start within 1.2s
- Constant Power Consumption
- End of life Protection, Short Circuit Protection
- Automatic restart after lamp replacement
- For luminaires of protection class I and II
- Degree of protection IP20
- RoHS compliant

- Complied with applicable standards for safety, performance and EMC

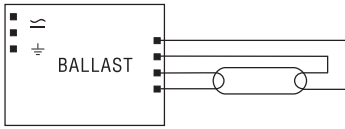
EMC	Emission	EN55015, EN61000-3-2 EN61000-3-3
	Immunity	EN61547, EN61000-4-11 EN61000-4-2-EN61000-4-6
Safety		EN61347-1, EN61347-2-3
Performance		EN60929



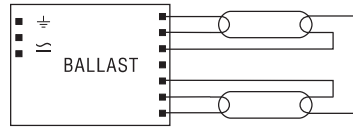
Lamp		Ballast		EEI	Wiring Diagram	Ta	Tc	Casing	LxWxH	Lamp	System	Current	Certification
Type	Watt	Base	Type							Wattage	Wattage at 230V/50Hz	A	
	W				°C	°C	m m	W	W	A			
Professional for CFL TC-DEL, TC-TEL, TC-QEL													
TC-DEL	2x13	G24q-1	EBC 213.204	A3	2	-15 to 55	75	K9	103x67x30	2x12.5	29.0	0.13	CE
TC-DEL	2x18	G24q-2	EBC 218.204	A2	2	-15 to 55	75	K9	103x67x30	2x16.5	36.5	0.16	CE
TC-DEL	26	G24q-3	EBC 226.201	A3	7	-15 to 55	80	K9	103x67x30	24.0	27.5	0.13	CE
TC-DEL	2x26	G24q-3	EBC 226.201	A2	2	-15 to 55	80	K9	103x67x30	2x24.0	54.0	0.24	CE
TC-DEL	2x26	G24q-3	EBC 242.201	A2	2	-15 to 55	80	K4	123x79x30	2x24.0	54.0	0.24	D'E
TC-TEL	32	GX24q-3	EBC 226.201	A2	7	-15 to 55	80	K9	103x67x30	32.0	36.0	0.16	CE
TC-TEL	32	GX24q-3	EBC 242.201	A2	7	-15 to 55	80	K4	123x79x30	32.0	36.0	0.16	D'E
TC-TEL	2x32	GX24q-3	EBC 242.201	A2	2	-15 to 55	80	K4	123x79x30	2x32.0	70.5	0.31	D'E
TC-TEL	42	GX24q-4	EBC 226.201	-	7	-15 to 55	80	K9	103x67x30	42.0	46.5	0.21	CE
TC-TEL	42	GX24q-4	EBC 242.201	-	7	-15 to 55	80	K4	123x79x30	42.0	46.5	0.21	D'E
TC-TEL	2x42	GX24q-4	EBC 242.201	-	2	-15 to 55	80	K4	123x79x30	2x42.0	91.0	0.40	D'E
TC-TEL	57	GX24q-5	EBC 226.201	-	7	-15 to 55	80	K9	103x67x30	57.0	63.0	0.28	CE
TC-TEL	57	GX24q-5	EBC 242.201	-	7	-15 to 55	80	K4	123x79x30	57.0	63.0	0.28	D'E
TC-TEL	70	GX24q-6	EBC 242.201	-	7	-15 to 55	80	K4	123x79x30	70.0	78.0	0.35	D'E
TC-QEL	70	GX24q-6	EBC 242.201	-	7	-15 to 55	80	K4	123x79x30	70.0	78.0	0.35	D'E
Professional for CFL TC-DD													
TC-DD	28	GR10q	EBC 242.201	A3	7	-15 to 55	80	K4	123x79x30	25.0	29.0	0.13	D'E
TC-DD	2x28	GR10q	EBC 242.201	A2	2	-15 to 55	80	K4	123x79x30	2x25.0	57.0	0.25	D'E
TC-DD	38	GR10q	EBC 242.201	A3	7	-15 to 55	80	K4	123x79x30	30.0	34.0	0.15	D'E
TC-DD	2x38	GR10q	EBC 242.201	A2	2	-15 to 55	80	K4	123x79x30	2x30.0	67.0	0.29	D'E

Wiring Diagram

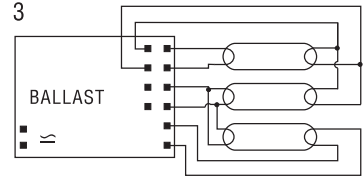
1



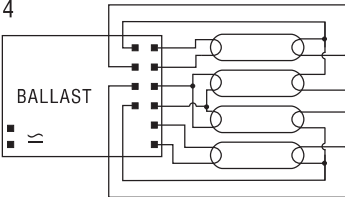
2



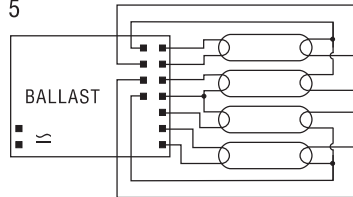
3



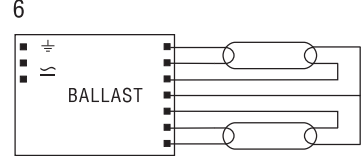
4



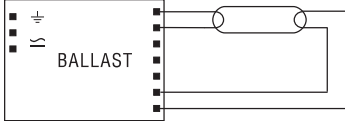
5



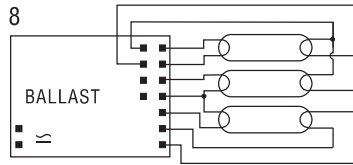
6



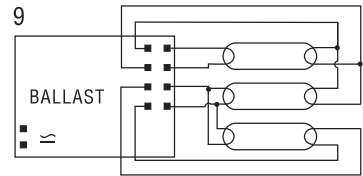
7



8



9



10

