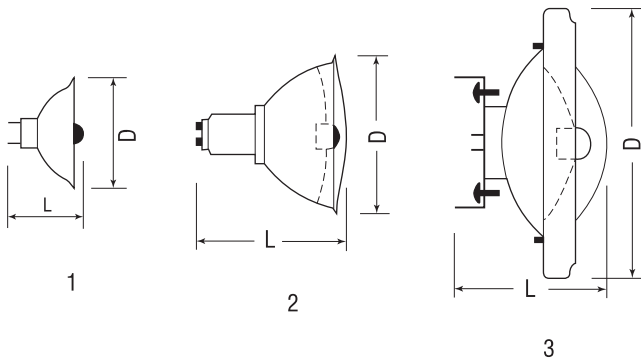


**LUXMAN** <sup>®</sup> HALOGEN ALUMINIUM REFLECTOR AR

12V Halogen Aluminium Reflector Lamp



- Constant Luminous intensity for the entire life
- Constant colour for the entire life
- Long Life
- Crisp light and excellent colour rendering
- No light can escape from the rear of the reflector
- Suitable for free-burning application without a shield



Model	Lamp Wattage <b>W</b>	Lamp Voltage <b>V</b>	Beam Angle	Diameter D max <b>mm</b>	Length L max <b>mm</b>	Base	Fig. No.	Rated Avg. Life <b>h</b>	Standard Pack <b>pcs</b>
AR-48 12V 10W	10	12	Spot 8°	48	37	GY4	Fig.1	2000	1/10/200
AR-48 12V 20W	20	12	Spot 8°	48	37	GY4	Fig.1	3000	1/10/200
AR-70 12V 20W	20	12	Spot 8°/Flood 24°	70	50	BA15d	Fig.2	3000	1/10/100
AR-70 12V 50W	50	12	Spot 8°/Flood 24°	70	50	BA15d	Fig.2	3000	1/10/100
AR-111 12V 35W	35	12	Spot 8°/Flood 24°/45°	111	58	G53	Fig.3	3000	1/6/48
AR-111 12V 50W	50	12	Spot 8°/Flood 24°/45°	111	58	G53	Fig.3	3000	1/6/48
AR-111 12V 75W	75	12	Spot 8°/Flood 24°/45°	111	58	G53	Fig.3	2000	1/6/48
AR-111 12V 100W	100	12	Spot 8°/Flood 24°/45°	111	58	G53	Fig.3	1000	1/6/48